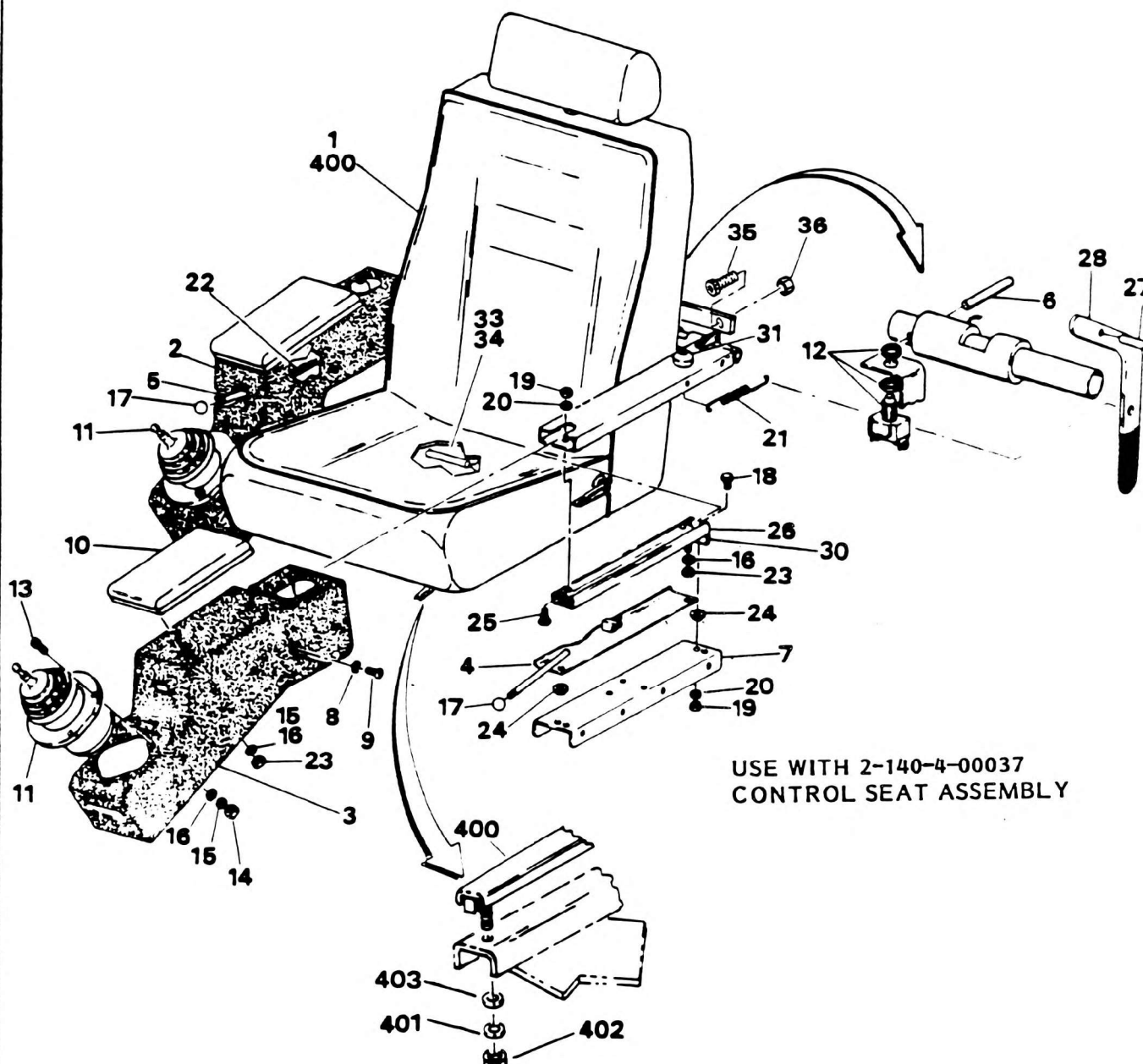


CHECK MACHINE DESIGN
BEFORE ORDERING

NOTE: SEAT CUSHION AND
BACK FORMED SEAT CAN
BE RE-UPHOLSTERED LOCALLY



USE WITH 2-140-4-00037
CONTROL SEAT ASSEMBLY

CHECK MACHINE DESIGN
BEFORE ORDERING

NOTE: SEAT CUSHION AND
BACK FORMED SEAT CAN
BE RE-UPHOLSTERED LOCALLY